



LODESTAR[®]

CLASSIC ELECTRIC CHAIN MOTOR

1/8 TO 2 TON CAPACITIES

From outdoor sporting events and concert tours to Broadway musicals and Las Vegas shows, the CM Lodestar Classic electric chain motor is the legendary tough motor that professional riggers around the world can rely on.

BENEFITS & FEATURES

LIFT

60 feet standard (other lifts available)

SPEEDS

5 to 100 feet/minute

LOW VOLTAGE CONTROL

110 volt for long cable runs without voltage drop. 24 and 48 volt optional. Single-phase and three-phase also available.

IP66 RATING

An Ingress Protection (IP) Rating of 66 indicates that the Lodestar Classic offers protection from dust and high-pressure water – making this unit ideal for use in outdoor environments.

- **HIGH-PERFORMANCE COMPOSITE CORD GRIPS**
Prevent water from entering the motor body at the pendant and power cord points of entry.
- **CONTINUOUS GASKETS**
Create a waterproof seal between the gearbox assembly and the back frame and motor covers.
- **O-RINGS ON LIFT WHEEL BEARING**
Prevent water from entering the motor body through the lift wheel opening.

LONG SERVICE LIFE

- Standard AC brake is designed for a long service life.
- Lifetime grease-lubricated gear box ensures better wear and smooth operation. Heavy-duty-rated motors.
- Standard external chain guide helps extend chain life.

DUTY CYCLE

H-4 duty rated for heavy-duty applications. 2M+ FEM class. 50% duty cycle or 300 on/off per hour.

OVERLOAD PROTECTOR

Helps prevent lifting of dangerous overloads.

OVER-TRAVEL PREVENTION

Adjustable limit switch prevents load from over-travel in both up and down directions.

LIGHTWEIGHT, CAST-ALUMINUM HOUSING

Durable and strong cast-aluminum housing is black powder coated for low visibility.

METRIC RATED

ROAD READY

Easy to stow and travel.

LIFETIME WARRANTY

The industry's best warranty against manufacturing and material defects.



Key Components of a Classic



EASY-ACCESS CONTROL PANEL

Finger-safe wiring and plug-and-play connectors on the control panel allow for quick voltage change from 208/230 to 460. Prevents improper voltage connections that may cause hoist damage. Easy access to terminal strips and simple fuse installation. (Low-voltage units only)



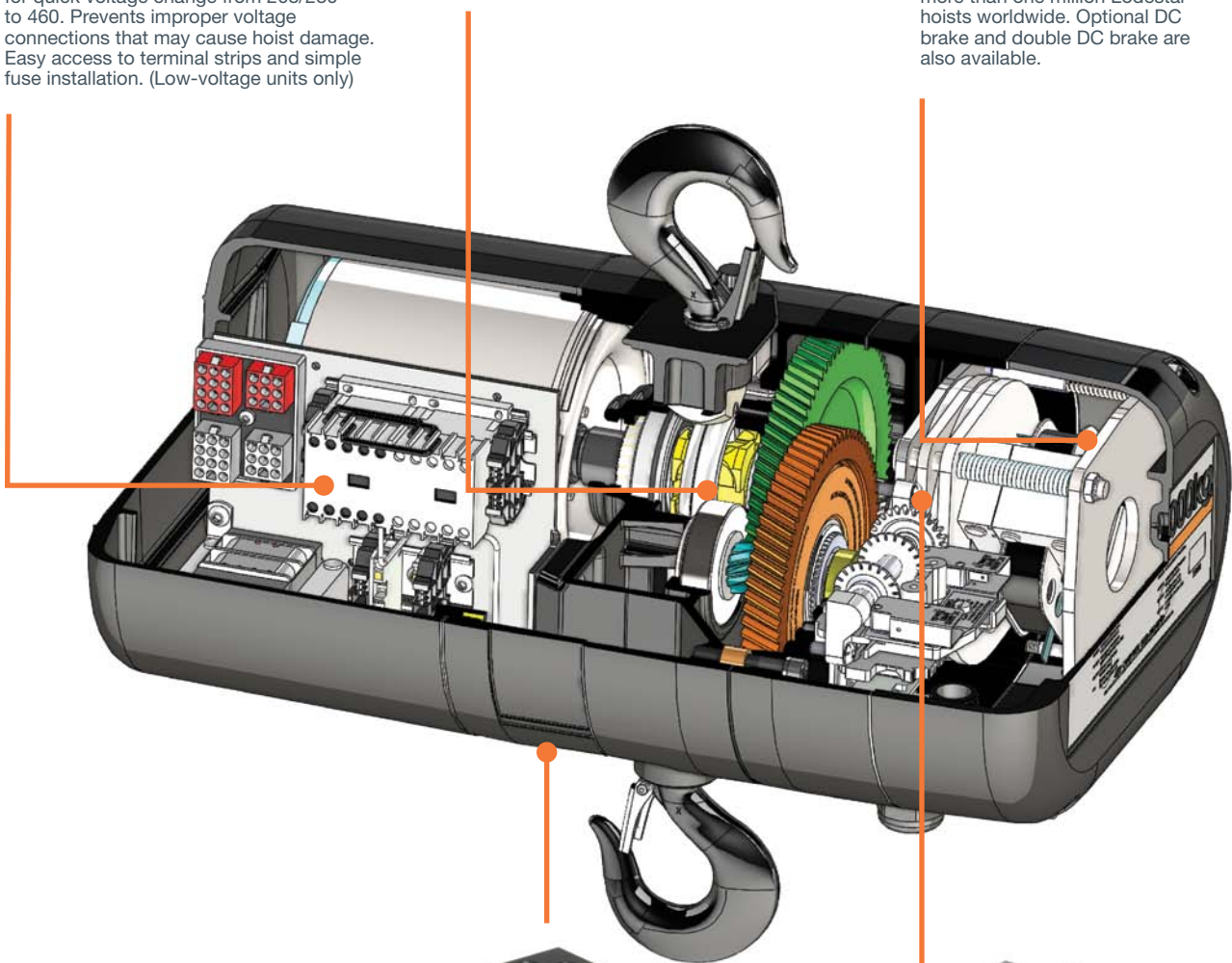
4-POCKET LIFT WHEEL

Lift wheel with improved water and dust sealing features for IP66 level protection.



PROVEN BRAKE DESIGN

Heavy-duty AC electromechanical brake has been field tested in more than one million Lodestar hoists worldwide. Optional DC brake and double DC brake are also available.



ZINC-PLATED LOAD CHAIN

Designed and manufactured in the USA by Columbus McKinnon, our zinc-plated Star Grade load chain protects against corrosion. Optional black finish available.



EXTERNAL CHAIN GUIDE

The standard external chain guide provides efficient chain management for longer chain life. It also protects the hoist from damage caused by cross linked chain, as well as damage to the internal guides and hoist frame. The guide is easily replaced and can be retrofitted to older units in the field.



ADJUSTABLE LIMIT SWITCH

Easy-to-adjust screw limit switch automatically stops the hook at any predetermined point when either lifting or lowering, preventing overtravel. (Low-voltage unit only)



OPTIONAL FEATURES

SINGLE OR DOUBLE DC BRAKE

Field Installation Kit available for single or double DC brake. The double option features two independent acting DC brakes for redundant braking.

DOUBLE LIMIT SWITCH

Adjustable screw limit switch that automatically stops the hook at any predetermined point when either hoisting or lifting.

VARIABLE SPEED UNITS AVAILABLE (VFD)

Varistar or variable speed versions available. Please contact your CM-ET sales representative for details.

CM ALLOY LATCHLOK® HOOKS

Latchlok® hooks combine innovative design and solid alloy steel. I-beam construction offers more reliable performance than any other hook on the market.

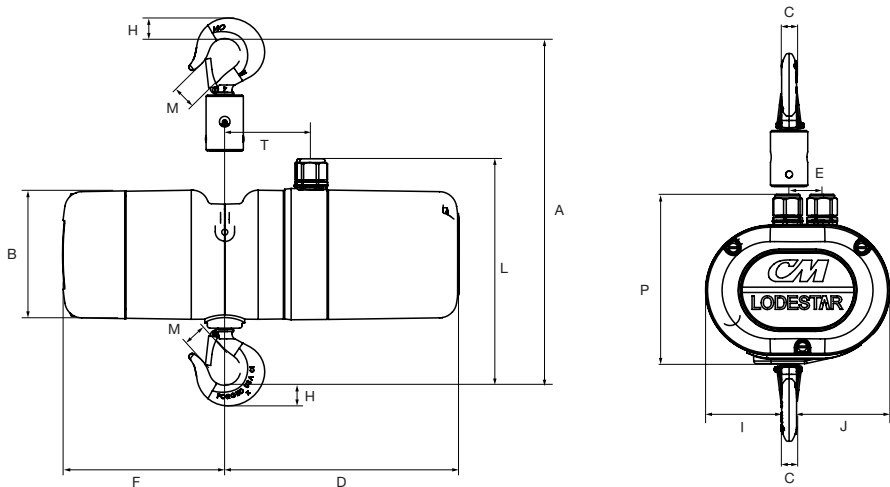
ENCODERS

Available for positioning incremental and absolute.

EASY-TO-MOUNT, CLOTH-TYPE CHAIN BAGS

DIRECT CONTROL UNIT

Featuring a single cable, a unit can be used as part of a system with multiple units with a single control. Lodestar is compatible with most direct control motor controllers.



DIMENSIONS

Model	Dimensions (in.)												
	A	B	C	D	E	F	H	I	J	L	M	P	T
B, C, F	16-5/16	6-1/16	3/4	11	1-5/8	7-5/8	1	3-15/16	4-3/4	10-5/8	1-1/8	7-15/16	4-1/16
J, JJ, L, LL	18-13/16	7-5/8	7/8	9-1/2	2-7/16	10-3/4	1-1/8	5-3/8	7-3/16	12-1/4	1-1/4	9-3/16	5-3/8
R, RR	25-13/16	7-5/8	1-1/8	9-1/2	2-7/16	10-11/16	1-1/2	6-1/2	6-1/8	12-7/8	1-1/2	9-1/8	5-5/17

SPECIFICATIONS

Model	Maximum Capacity		Hoist Lifting Speed				Less Chain		10 Foot Lift		60 Foot Lift	
							Product Code		Product Code		Product Code	
	Tons	kg	60hz / FPM	60hz / MPM	50hz / FPM	50hz / MPM	115V	230/460V	115V	230/460V	115V	230/460V
B	1/4	250	16	4.9	13.3	4.1	3140	3181	3140CF	3181CF	3140CF	3181CF
C	1/4	250	32	9.8	26.7	8.1	3200	3182	3200CF	3182CF	3200CF	3182CF
F	1/2	500	16	4.9	13.3	4.1	2867	3183	2867CF	3183CF	2867CF	3183CF
J	1/2	500	32	9.8	26.7	8.1	3394	3184	3394CF	3184CF	3394CF	3184CF
JJ	1/2	500	64	19.5	53.3	16.3	-	4275	-	4275CF	-	4275CF
L	1	1000	16	4.9	13.3	4.1	3609	3185	3609CF	3185CF	3609CF	3185CF
LL	1	1000	32	9.8	26.7	8.1	-	3187	-	3187CF	-	3187CF
R	2	2000	8	2.4	6.7	2	4238	3186	4238CF	3186CF	4238CF	3186CF
RR	2	2000	16	4.9	13.3	4.1	-	3188	-	3188CF	-	3188CF



USA & CA: 888.376.7510 UK: +44-8081892509
www.stuart-rush.com

© 2016 Stuart Rush. All Rights Reserved. Stock #PS-CMET-CL-0816. EP