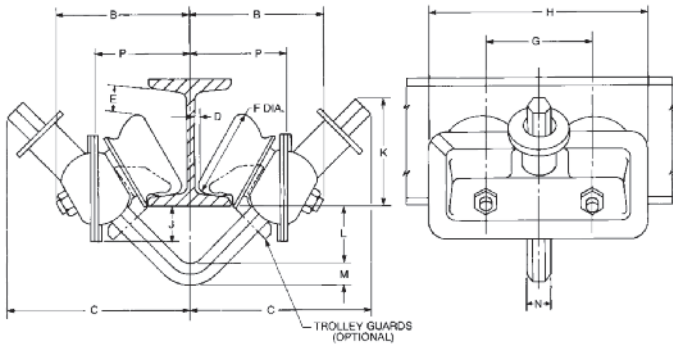


# CM Series 632 close radius trolley



With revolutionary advances, this shorter, more compact trolley is 50% lighter than competitive trolleys, yet every bit as tough.



- Negotiates radius curves as tight as 7 to 10 inches
- Made of highest quality rolled steel
- Unique double row, ball bearing wheel design for greater wear capacity
- Larger V-bars available for wider flange adjustment
- For low headroom applications
- Bearings prepacked with lifetime lubricant
- Exclusive Dial-Fit collar quickly adapts trolley to wide range of beams and patented rails
- Dust covers shield and protect bearings
- Trolleys available for larger beams, rails or tracks; contact CM
- Cast iron trolley guards available (except for 3 ton)
- Lifetime warranty
- Made in U.S.A.

## Clearance dimensions (in.)

Dimension	Rated capacity* (tons)			
	1/4 & 1/2	1	1 1/2 & 2	3
Min. radius curve (in.)	7	7	10	10
B	4 1/4	4 3/8	5 5/8	6 3/16
C	5 7/8	6	7 1/2	8 1/16
D	3/16	3/16	3/8	1 1/16
E	1 3/16	1 3/16	2 3/16	4 1/16
F	2 3/4	2 3/4	3 1/2	3 1/2
G	3 3/8	3 3/8	4 1/2	4 1/2
H	7	7	9	9
J	1 1/8	1 1/8	1 1/2	1 5/8
K	3 3/8	3 1/2	4 3/8	4 13/16
L	1 13/16	1 5/8	2	2 5/8
M	1 1/16	7/8	1 1/8	1 1/8
N	7/8	1	1 1/4	1 1/4
P	3	3 1/8	3 7/8	4 15/16

Dimensions given are for minimum S-beam and will vary with larger beams.

## Specifications

Rated capacity* (tons)	Product code	Adj. for standard S-beams					
		Depth of beam (in.)	Flange width (in.)	Tread diameter (in.)	Net weight (lbs.)	Shipping weight (lbs.)	Minimum radius curve (in.)
1/4-1/2	3222	4-12	2 5/8-5 1/16	2 3/4	9	10	7
1	3224	4-12	2 5/8-5 1/16	2 3/4	10	12	7
1 1/2-2	3226	6-15	3 3/8-5 5/8	3 1/2	23	25	10
3	3230	8-18	4-6 1/4	3 1/2	29	33	10

All capacities can be supplied for S-beams larger than listed and also for wide flange beams, rails or tracks with approximately equivalent flange widths.

**\* ⚠ WARNING**

**Overloading and improper use can result in injury.**

**To avoid injury:**

- Do not exceed working load limit, load rating capacity
- Do not use to lift people or loads over people.
- use only alloy chain for overhead lifting.
- Read and follow all instructions.